

Line laser, green, 532 nm, 90 °, 0.4 mW

LC532-0.4-3-F(16x65)
Order Number: 70104370

Main Parameters (*)	min	typ	max	Unit
Wavelength		532		nm
Optical Output Power		0.4		mW
Operating Voltage	2.7	3	3.3	V DC
Operating Current	100	200	300	mA
Operating Temperature	15		30	°C
Storage Temperature	-40		80	°C

Technical Parameters

Lifetime	>5000 h
RoHS	yes

Optical Parameters

Beam Shape	Line
Laser Class	1
Divergence	C - 0.4 mrad
Fan Angle	90 °
Line Thickness	adjustable
Operating Distance	3 m
Optics	glass lens AR coated
Beam Mode	TEM00
Laser technology	YVO4+KTP
Focus	adjustable
Warm up time	<15 min

Electrical Parameters

Potential of Housing	isolated
Power Supply	LFNT-3

Mechanical Parameters

Size	Ø16x65 mm
Material	aluminium
Cable length	100 mm
Output Aperture	5 mm
Weight	38 g

(*) Over the complete operating temperature range

Features



- Fan angle 90 °
- Laser Class 1
- Operating Voltage 3 V DC
- Adjustable focus
- For medical devices

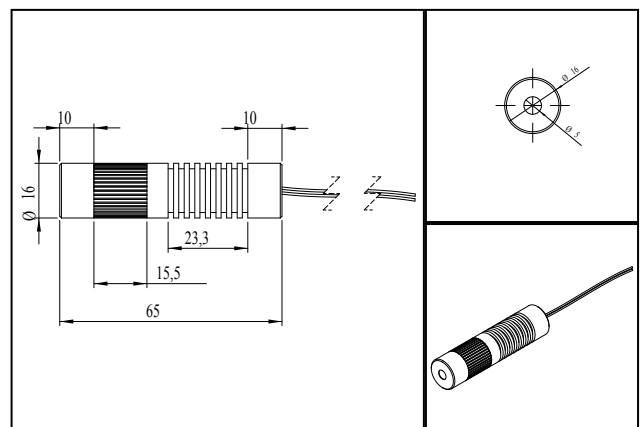
Picture



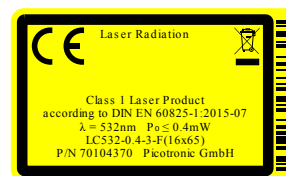
Cable color

Positive  black 2.7 - 3.3, typ 3 V DC

Drawing



safety label



Valid Revision

REV 0 | 17-DEC-2018