

## Line laser, red, 658 nm, 45 °, 50 mW

LB658-50-230(40x210)45  
Order Number: 70118537

Main Parameters (*)	min	typ	max	Unit
Wavelength		658		nm
Optical Output Power		50		mW
Operating Voltage	207	230	253	V AC
Operating Current	5	10	15	mA
Operating Temperature	-20		50	°C
Storage Temperature	-40		80	°C

### Technical Parameters

Lifetime	>10000 h
RoHS	yes

### Optical Parameters

Beam Shape	Line
Laser Class	3R
Divergence	B - 0.3 mrad
Fan Angle	45 °
Line Thickness	<3mm@7m
Operating Distance	25 m
Optics	glass lens AR coated
Laser technology	diode
Focus	fixed (7.0m)

### Electrical Parameters

Potential of Housing	isolated
Connector	AC CEE 7/7

### Mechanical Parameters

Size	Ø40x210 mm
Material	aluminium
Cable length	1750 mm
Wire type	H05VV-F
Output Aperture	8 mm
Housing Color	silver
Weight	920 g

(\*) Over the complete operating temperature range

### Features



- Operating Voltage 230 V AC
- Laser Class 3R
- High Power
- Glas lenses anti reflex coated
- Uniform line thickness

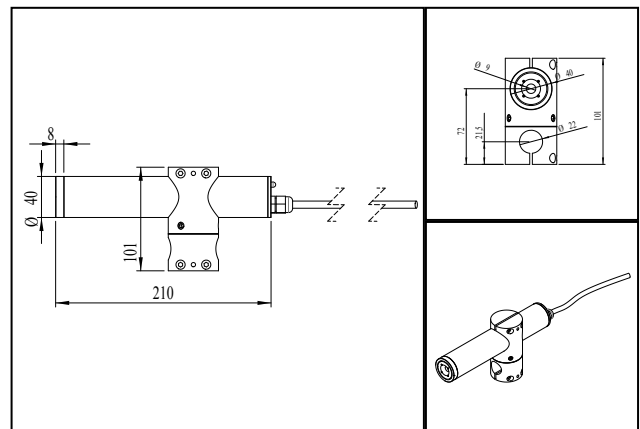
### Picture



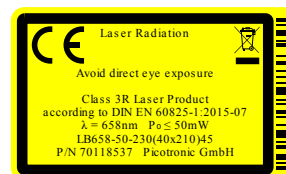
Montageplatte optional  
Base Plate not included



### Drawing



### safety label



### Valid Revision

REV 1 | 19-MAR-2019