

## Line laser, red, 650 nm, 90 °, 15 mW

LB650-15-230(40x210)  
Order Number: 70112023

Main Parameters (*)	min	typ	max	Unit
Wavelength		650		nm
Optical Output Power		15		mW
Operating Voltage	207	230	253	V AC
Operating Current	5	10	15	mA
Operating Temperature	-20		50	°C
Storage Temperature	-40		80	°C

### Main Data

Warranty	1 years
----------	---------

### Technical Parameters

Lifetime	>10000 h
RoHS	yes

### Optical Parameters

Beam Shape	Line
Laser Class	2
Divergence	B - 0.3 mrad
Fan Angle	90 °
Line Thickness	<2mm@5m
Operating Distance	5 m
Optics	glass lens AR coated
Laser technology	diode
Focus	fixed (5.0m)

### Electrical Parameters

Potential of Housing	isolated
Connector	AC CEE 7/7

### Mechanical Parameters

Size	Ø40x210 mm
Material	aluminium
Cable length	1750 mm
Wire type	H05VV-F
Output Aperture	8 mm
Weight	920 g

(\*) Over the complete operating temperature range

## Features

- Operating Voltage 230 V AC
- Laser Class 2
- Uniform line thickness
- Glas lenses anti reflex coated
- Fixed focus

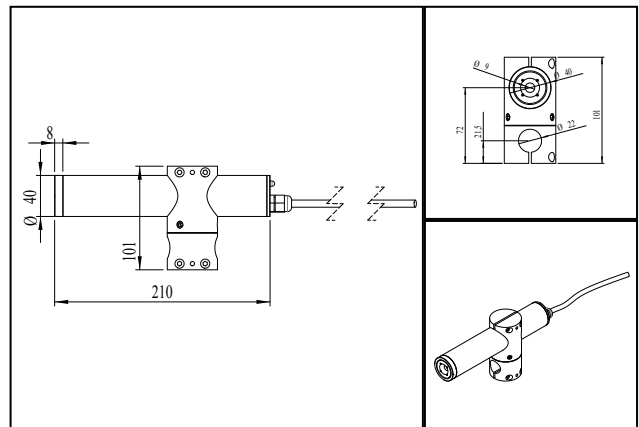
## Picture



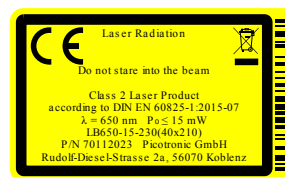
Montageplatte optional  
Base Plate not included



## Drawing



## Safety Label



## Valid Revision

REV 47 | 23-FEB-2016