

Dot laser, infrared, 808 nm, 1200 mW

DH808-1200-5(45x100)
Order Number: 70103472

Main Parameters (*)	min	typ	max	Unit
Wavelength		808		nm
Optical Output Power		1200		mW
Operating Voltage	4.5	5	5.5	V DC
Operating Current	1000	2000	3000	mA
Operating Temperature	-20		50	°C
Storage Temperature	-40		80	°C

Main Data

Warranty 1 years

Technical Parameters

Lifetime > 5,000 h
RoHS yes

Optical Parameters

Beam Shape Dot
Laser Class 4
Divergence H - 1.0 mrad
Size of Laserdot adjustable
Operating Distance 10 m
Optics glass lens AR coated
Laser technology diode
Focus adjustable

Electrical Parameters

Potential of Housing VDD(+)
Stripping of cable cover 50 mm

Mechanical Parameters

Size Ø45x100 mm
Material aluminium
Cable length 500 mm
Output Aperture 6 mm
Weight 200 g
Stripping of wire 5 mm

(*) Over the complete operating temperature range

Features



- High Power
- Compact size
- Adjustable focus
- Operating Voltage 5V DC
- Laser Class 4

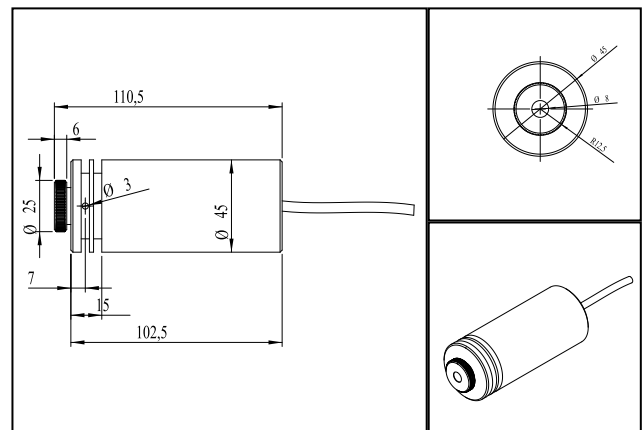
Picture



Cable color

Ground		blue	GND
Positive		brown	4.5 - 5.5, typ 5 V DC

Drawing



Safety Label



Valid Revision

9 | 31-MAY-2016