

Dot laser, red, 658 nm, 60 mW

DH658-60-3(22x65)
Order Number: 70109320

Main Parameters (*)	min	typ	max	Unit
Wavelength		658		nm
Optical Output Power	40	60		mW
Operating Voltage	2.6	3	3	V DC
Operating Current	65	100	200	mA
Operating Temperature	-20		50	°C
Storage Temperature	-40		80	°C

Technical Parameters

Lifetime	>5000 h
RoHS	yes

Optical Parameters

Beam Shape	Dot
Laser Class	3B
Divergence	H - 1.0 mrad
Size of Laserdot	adjustable
Operating Distance	50 m
Optics	glass lens AR coated
Laser technology	Single Mode Diode
Focus	adjustable

Electrical Parameters

Potential of Housing	isolated
----------------------	----------

Mechanical Parameters

Size	Ø22x65 mm
Material	aluminium
Cable length	100 mm
Wire type	26AWG, 0,14mm ²
Output Aperture	5 mm
Housing Color	black
Weight	54 g
Stripping of wire	5 mm

(*) Over the complete operating temperature range

Features





- High power
- Adjustable focus
- Low current

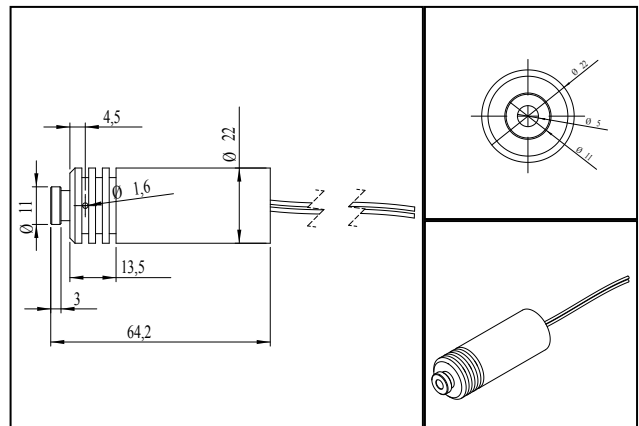
Picture



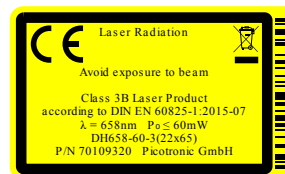
Cable color

Ground		black	GND
Positive		red	2.6 - 3, typ 3 V DC

Drawing



safety label



Valid Revision

REV 3 | 21-SEP-2016