

## Doe laser, red, 635 nm, 5 mW

DD635-5-24(16x65)-DOE  
Order Number: 70121919

Main Parameters (*)	min	typ	max	Unit
Wavelength		635		nm
Optical Output Power		5		mW
Operating Voltage	23.5	24	24.5	V DC
Operating Current	5	12	30	mA
Operating Temperature	-20		50	°C
Storage Temperature	-40		80	°C

### Technical Parameters

Lifetime	>10000 h
RoHS	yes

### Optical Parameters

Beam Shape	DOE
Laser Class	3R
Divergence	D - 0.5 mrad
Operating Distance	50 m
Optics	glass lens AR coated
Laser technology	Single Mode Diode
Stability	+/- 3% @ -10-50°C
Focus	adjustable

### Electrical Parameters

Potential of Housing	isolated
----------------------	----------

### Mechanical Parameters

Size	Ø16x65 mm
Material	aluminium
Cable length	300 mm
Wire type	18AWG, black, 3,6mm
Output Aperture	5 mm
Housing Color	black
Weight	30 g
Stripping of wire	5 mm
Stripping of cable cover	50 mm

(\*) Over the complete operating temperature range

## Features





- Adjustable focus
- DOE optic can be changed
- Compact size
- Glas lenses anti reflex coated
- Operating Voltage 24 V DC

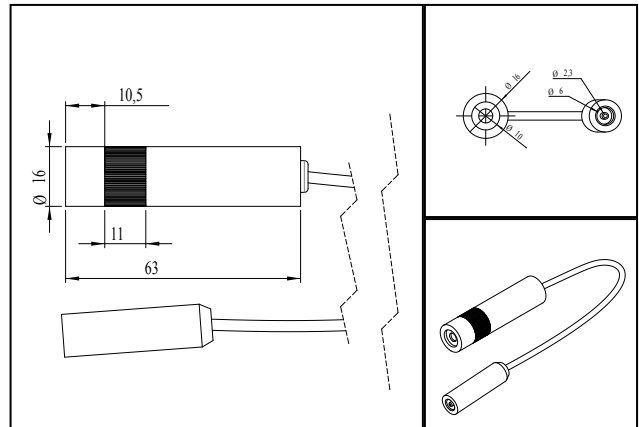
## Picture



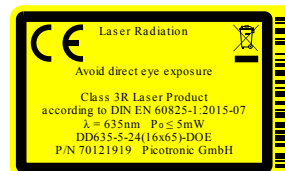
## Cable color

Ground		black	GND
Positive		white	23.5 - 24.5, typ 24 V DC

## Drawing



## safety label



## Valid Revision

| 28-NOV-2018