

## Dot laser, green, 532 nm, 1 mW

DD532-1-3(16x60)  
Order Number: 70107715

Main Parameters (*)	min	typ	max	Unit
Wavelength		532		nm
Optical Output Power		1		mW
Operating Voltage	2.7	3	3.3	V DC
Operating Current	60	160	300	mA
Operating Temperature	15		30	°C
Storage Temperature	-40		80	°C

### Main Data

Warranty 1 years

### Technical Parameters

Lifetime > 5,000 h  
RoHS yes

### Optical Parameters

Beam Shape	Dot
Laser Class	2
Divergence	D - 0.5 mrad
Beam Diameter	4 mm
Size of Laserdot	<8mm@10m
Operating Distance	50 m
Optics	glass lens AR coated
Beam Mode	TEM00
Laser technology	Solid State (YVO4+KTP)
Stability	+/- 20% @ 15-30°C
Focus	collimated
Warm up time	< 15 min

### Electrical Parameters

Potential of Housing	isolated
Power Supply	Power Supply with stripped/tinned wires, Output: 3.3V DC, Input: 100-240V AC, 50-60Hz, Output Power: 3.3W max.

### Mechanical Parameters

Size	Ø16x60 mm
Material	aluminium
Cable length	100 mm
Wire type	26AWG, 0,14mm <sup>2</sup>
Output Aperture	5 mm
Housing Color	black
Weight	43 g
Stripping of wire	5 mm

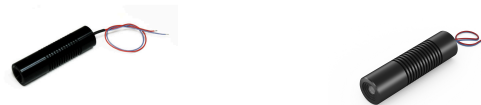
(\*) Over the complete operating temperature range

### Features



- Operating Voltage 3V DC
- Laser Class 2
- Fixed focus
- Image processing
- Compact size

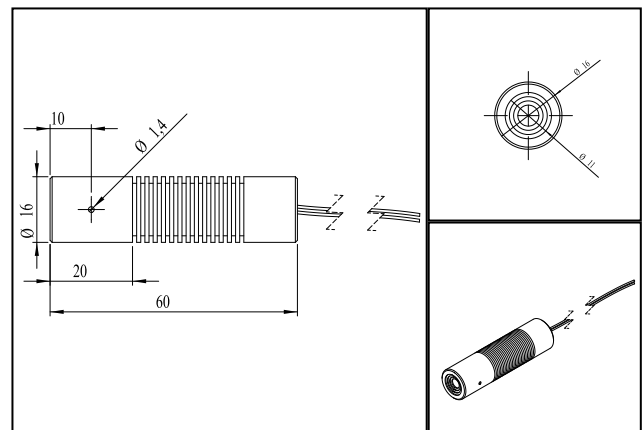
### Picture



### Cable color

Ground		blue	GND
Positive		red	2.7 - 3.3, typ 3 V DC

### Drawing



### Safety Label



### Valid Revision

1 | 08-JUN-2022