

Dot laser, infrared, 850 nm, 0.4 mW

DC850-0.4-4.5(14x64)
Order Number: 70102789

Main Parameters (*)	min	typ	max	Unit
Wavelength		850		nm
Optical Output Power		0.4		mW
Operating Voltage	4.05	4.5	4.95	V DC
Operating Current	5	10	15	mA
Operating Temperature	-20		50	°C
Storage Temperature	-40		80	°C

Main Data

Warranty 1 years

Technical Parameters

Lifetime > 5,000 h
RoHS yes

Optical Parameters

Beam Shape Dot
Laser Class 1
Divergence C - 0.4 mrad
Beam Diameter 3.5 mm
Size of Laserdot <3.5mm@5m
Operating Distance 50 m
Optics glass lens AR coated
Laser technology Single Mode Diode
Focus collimated

Electrical Parameters

Potential of Housing VDD(+)
Battery LR44/AG13 alkaline battery, 1.5V
Battery count 3

Mechanical Parameters

Size Ø14x64 mm
Material aluminium
Output Aperture 3 mm
Housing Color black
Weight 21 g

(*) Over the complete operating temperature range

Features

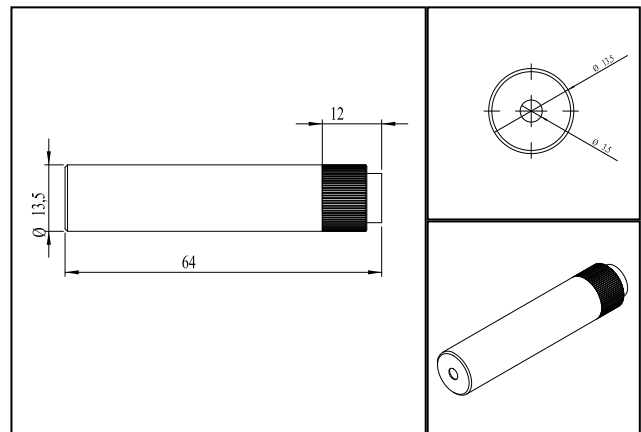


- Operating Voltage 4.5V DC
- Laser Class 1
- Compact size
- With battery
- Glas lenses anti reflex coated

Picture



Drawing



Safety Label



Valid Revision

5 | 05-JUL-2024