

Dot laser, red, 650 nm, 0.4 mW

DC650-0.4-4.5(14x64)-S-AP-F150
Order Number: 70125795

| Main Parameters (*) | min | typ | max | Unit |
|-----------------------|-----|-----|-----|------|
| Wavelength | | 650 | | nm |
| Optical Output Power | 0.3 | 0.4 | 0.4 | mW |
| Operating Voltage | | 4.5 | | V DC |
| Operating Current | 15 | 20 | 30 | mA |
| Operating Temperature | -20 | | 50 | °C |
| Storage Temperature | -40 | | 80 | °C |

Main Data

Warranty 1 years

Technical Parameters

Lifetime > 5,000 h
RoHS yes

Optical Parameters

Beam Shape Dot
Laser Class 1
Divergence C - 0.4 mrad
Beam Diameter 3mm
Size of Laserdot <1mm@0.15m
Operating Distance 0.15 m
Optics glass lens AR coated
Laser technology Single Mode Diode
Axial Divergence ±0.6°
Focus fixed (150mm)

Electrical Parameters

Potential of Housing VDD(+)
Battery LR44/AG13 alkaline battery, 1.5V
Battery count 3

Mechanical Parameters

Size Ø14x64 mm
Material aluminium
Output Aperture 3.5 mm
Housing Color black
Weight 21 g

(*) Over the complete operating temperature range

Features

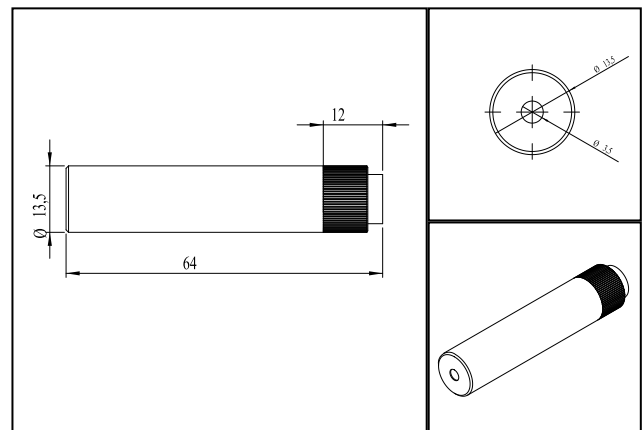


- Axial parallel
- With battery
- Glas lenses anti reflex coated
- Compact size
- Laser Class 1

Picture



Drawing



Safety Label



Valid Revision

| 05-JUL-2024