

Dot laser, red, 635 nm, 1 mW

DC635-1-4.5(14x64)-RS-AP
Order Number: 70123760

Main Parameters (*)	min	typ	max	Unit
Wavelength		635		nm
Optical Output Power		1	1	mW
Operating Voltage		4.5		V DC
Operating Current	10	30	40	mA
Operating Temperature	-20		50	°C
Storage Temperature	-40		80	°C

Technical Parameters

Lifetime	>5000 h
RoHS	yes

Optical Parameters

Beam Shape	Dot
Laser Class	2
Divergence	C - 0.4 mrad
Beam Diameter	3 mm
Size of Laserdot	<3mm@5m
Operating Distance	5 m
Optics	glass lens AR coated
Laser technology	Single Mode Diode
Axial Divergence	±0.6 °
Focus	fixed (5.0m)

Electrical Parameters

Potential of Housing	VDD(+)
Battery	3 x LR44/AG13 alkaline battery, 1.5V

Mechanical Parameters

Size	Ø14x64 mm
Material	aluminium
Output Aperture	3.5 mm
Housing Color	black
Weight	21 g
Protection Class	IP50

(*) Over the complete operating temperature range

Features

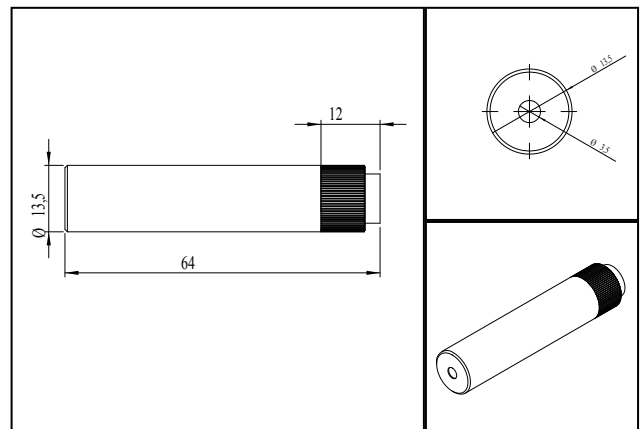


- Axial parallel
- With battery
- Glas lenses anti reflex coated
- Compact size
- Laser Class 2

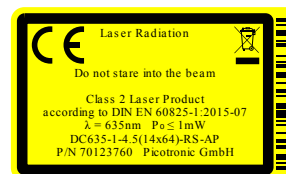
Picture



Drawing



safety label



Valid Revision

| 21-FEB-2019