

Dot laser, infrared, 808 nm, 350 mW

DB808-350-3(22x65)
Order Number: 70100778

Main Parameters (*)	min	typ	max	Unit
Wavelength		808		nm
Optical Output Power		350		mW
Operating Voltage	2.7	3	3.3	V DC
Operating Current	400	750	1000	mA
Operating Temperature	-20		50	°C
Storage Temperature	-40		80	°C

Main Data

Warranty 1 years

Technical Parameters

Lifetime > 5,000 h
RoHS yes

Optical Parameters

Beam Shape Dot
Laser Class 3B
Divergence B - 0.3 mrad
Size of Laserdot adjustable
Operating Distance 50 m
Optics glass lens AR coated
Laser technology diode
Focus adjustable

Electrical Parameters

Potential of Housing isolated
Power Supply Power Supply with stripped/tinned wires, Output: 3.3V DC, Input: 100-240V AC, 50-60Hz, Output Power: 3.3W max.

Mechanical Parameters

Size Ø22x65 mm
Material aluminium
Cable length 100 mm
Wire type 26AWG, 0,14mm²
Output Aperture 8 mm
Weight 57 g

(*) Over the complete operating temperature range

Features



- Compact size
- Adjustable focus
- Laser Class 3B
- Operating Voltage 3V DC
- High Power

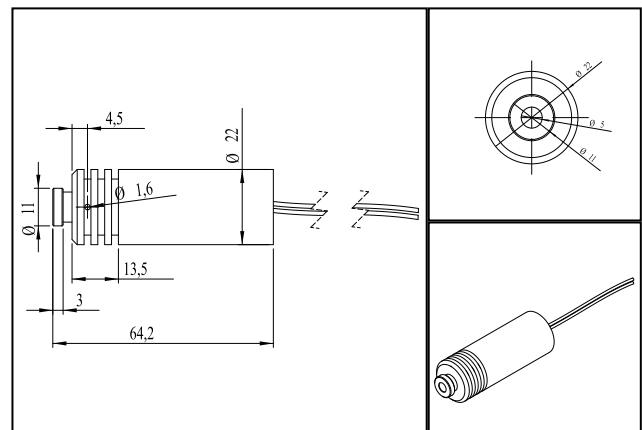
Picture



Cable color

Ground		black	GND
Positive		red	2.7 - 3.3, typ 3 V DC

Drawing



Safety Label



Valid Revision

4 | 08-MAY-2024