

Dot laser, infrared, 808 nm, 300 mW

DB808-300-3(22x65)
Order Number: 70100761

Main Parameters (*)	min	typ	max	Unit
Wavelength		808		nm
Optical Output Power		300		mW
Operating Voltage		3		V DC
Operating Current	520	550	570	mA
Operating Temperature	-20		50	°C
Storage Temperature	-40		80	°C

Technical Parameters

Lifetime	>5000 h
RoHS	yes

Optical Parameters

Beam Shape	Dot
Laser Class	3B
Divergence	B - 0.3 mrad
Size of Laserdot	adjustable
Operating Distance	50 m
Optics	glass lens AR coated
Laser technology	diode
Focus	adjustable

Electrical Parameters

Potential of Housing	isolated
----------------------	----------

Mechanical Parameters

Size	Ø22x65 mm
Material	aluminium
Cable length	100 mm
Wire type	26AWG, 0,14mm ²
Output Aperture	8 mm
Housing Color	black
Weight	54 g

(*) Over the complete operating temperature range

Features



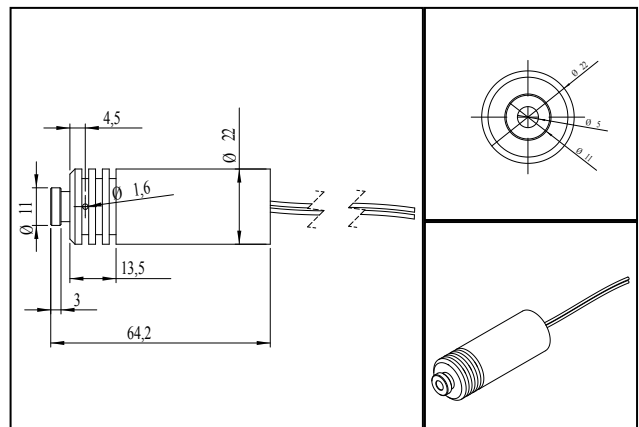
Picture



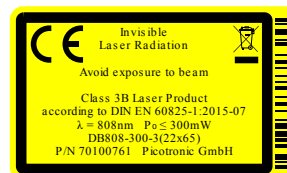
Cable color

Ground		black	GND
Positive		red	3 V DC

Drawing



safety label



Valid Revision

REV 0 | 17-DEC-2018