

Dot laser, infrared, 808 nm, 120 mW

DB808-120-3(22x65)
Order Number: 70100754

Main Parameters (*)	min	typ	max	Unit
Wavelength		808		nm
Optical Output Power		120		mW
Operating Voltage	2.7	3	3.3	V DC
Operating Current	125	250	375	mA
Operating Temperature	-20		50	°C
Storage Temperature	-40		80	°C

Main Data

Warranty 1 years

Technical Parameters

Lifetime > 5,000 h
RoHS yes

Optical Parameters

Beam Shape Dot
Laser Class 3B
Divergence B - 0.3 mrad
Size of Laserdot adjustable
Operating Distance 25 m
Optics glass lens AR coated
Laser technology diode
Focus adjustable

Electrical Parameters

Potential of Housing isolated

Mechanical Parameters

Size Ø22x65 mm
Material aluminium
Cable length 100 mm
Wire type 26AWG, 0,14mm²
Output Aperture 8 mm
Weight 52 g

(*) Over the complete operating temperature range

Features



- Operating Voltage 3V DC
- High power
- Laser Class 3B
- Adjustable focus
- Compact size

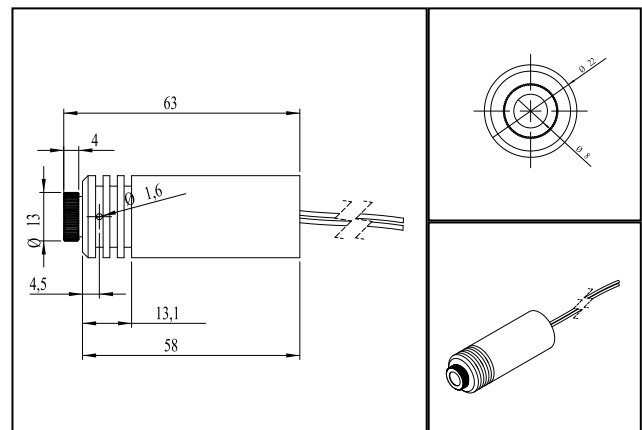
Picture



Cable color

Ground		black	GND
Positive		red	2.7 - 3.3, typ 3 V DC

Drawing



Safety Label



Valid Revision

7 | 17-DEC-2018