

Dot laser, red, 650 nm, 3 mW

DB650-3-3(16x32)
Order Number: 70101188

Main Parameters (*)	min	typ	max	Unit
Wavelength		650		nm
Optical Output Power		3		mW
Operating Voltage	2.7	3	3.3	V DC
Operating Current	15	25	40	mA
Operating Temperature	-20		50	°C
Storage Temperature	-40		80	°C

Technical Parameters

Lifetime	>5000 h
RoHS	yes

Optical Parameters

Beam Shape	Dot
Laser Class	3R
Divergence	B - 0.3 mrad
Size of Laserdot	adjustable
Operating Distance	50 m
Optics	glass lens AR coated
Laser technology	diode
Focus	adjustable

Electrical Parameters

Potential of Housing	isolated
Power Supply	LFNT-3

Mechanical Parameters

Size	Ø16x32 mm
Material	aluminium
Cable length	100 mm
Wire type	26AWG, 0,14mm ²
Output Aperture	8 mm
Weight	21 g

(*) Over the complete operating temperature range

Features



- Laser Class 3R
- Operating Voltage 3 V DC
- Glas lenses anti reflex coated
- Adjustable focus
- Compact size

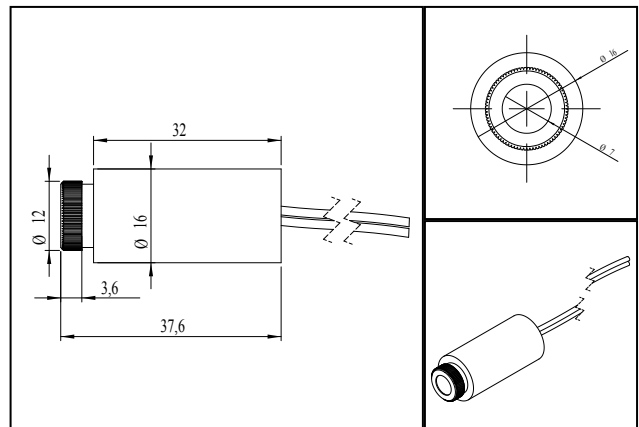
Picture



Cable color

Ground		black	GND
Positive		red	2.7 - 3.3, typ 3 V DC

Drawing



safety label



Valid Revision

REV 6 | 10-NOV-2010