

## Cross laser, red, 670 nm, 90°, 2 mW

CB670-2-3(16x45)  
Order Number: 70100556

Main Parameters (*)	min	typ	max	Unit
Wavelength		670		nm
Optical Output Power		2		mW
Operating Voltage	2.7	3	3.3	V DC
Operating Current	25	45	70	mA
Operating Temperature	-20		50	°C
Storage Temperature	-40		80	°C

### Main Data

Warranty 1 years

### Technical Parameters

Lifetime > 5,000 h  
RoHS yes

### Optical Parameters

Beam Shape Cross  
Laser Class 1  
Divergence B - 0.3 mrad  
Fan Angle 90°  
Line Thickness <1.5mm@2m  
Operating Distance 2 m  
Optics glass lens AR coated  
Laser technology diode  
Focus fixed (2000mm)

### Electrical Parameters

Potential of Housing isolated  
Power Supply with stripped/tinned wires, Output: 3.3V DC, Input: 100-240V AC, 50-60Hz, Output Power: 3.3W max.

### Mechanical Parameters

Size Ø16x45 mm  
Material aluminium  
Cable length 100 mm  
Wire type 26AWG, 0,14mm<sup>2</sup>  
Output Aperture 6.8 mm  
Weight 23 g

(\*) Over the complete operating temperature range

### Features



- Laser Class 1
- Operating Voltage 3V DC
- Uniform illumination
- Glas lenses anti reflex coated
- Image processing

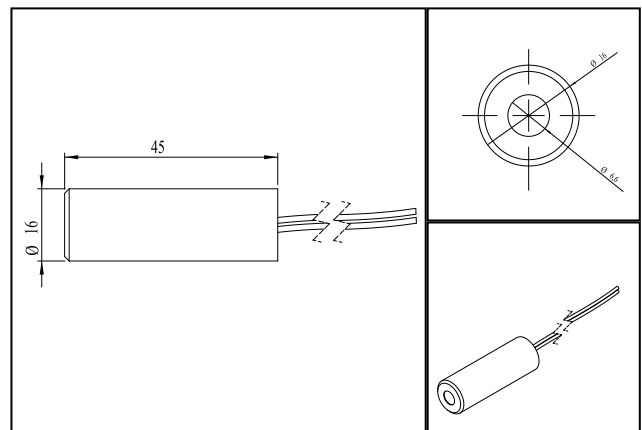
### Picture



### Cable color

Ground		black	GND
Positive		red	2.7 - 3.3, typ 3 V DC

### Drawing



### Safety Label



### Valid Revision

4 | 27-APR-2023