

## Cross laser, red, 650 nm, 45 °, 5 mW

CB650-5-3-F-S(22x110)45DEG  
Order Number: 70122213

Main Parameters (*)	min	typ	max	Unit
Wavelength		650		nm
Optical Output Power		5		mW
Operating Voltage	2.7	3	3.3	V DC
Operating Current	15	30	45	mA
Operating Temperature	-20		50	°C
Storage Temperature	-40		80	°C

### Main Data

Warranty 1 years

### Technical Parameters

Lifetime > 5,000 h  
RoHS yes

### Optical Parameters

Beam Shape	Cross
Laser Class	1
Divergence	B - 0.3 mrad
Fan Angle	45 °
Operating Distance	4 m
Optics	glass lens AR coated
Laser technology	Single Mode Diode
Focus	adjustable
Verticality	< ± 0.5 °

### Electrical Parameters

Potential of Housing	VDD(+)
Battery	CR123A Lithium Battery, 3V 1400mAh
Battery count	1

### Mechanical Parameters

Size	Ø22x110 mm
Material	aluminium
Output Aperture	6 mm
Weight	88 g

(\*) Over the complete operating temperature range

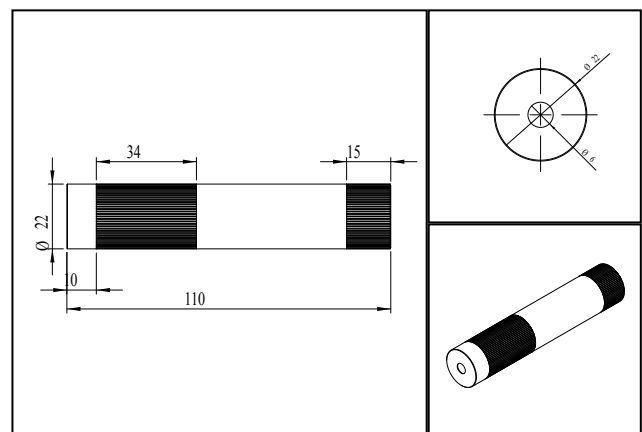
### Features

- Fan angle 45 °
- Laser Class 1
- With battery
- Low power consumption
- Adjustable focus

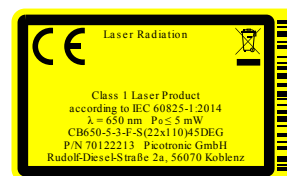
### Picture



### Drawing



### Safety Label



### Valid Revision

| 14-DEC-2018